



# Parts and Supplies

*Expert advice, immediate availability, and fast delivery*



# Experts at your service

*Trane is a full range service solutions provider, with in-house expertise and an extensive service network that is always on call. We provide a comprehensive parts and supplies inventory offering a variety of manufacturers' parts to service any building's HVAC systems and to ensure optimal operation. Turn to Trane Building Services for expert advice on the right parts at the right place at the right time.*

## Parts availability

From precision-crafted original Trane items to generic parts from other suppliers, **Trane carries a wide range of items with 6 500** parts items available in 24 to 48 hours. Whether you are looking for compressors, controls, electrical supplies, HVAC accessories, refrigeration components, indoor air quality filters, chemicals, or tools and tests equipment, we can give you a competitive edge.

Our **inventory levels are closely monitored** so that we can provide the needed part that will keep your system running. We have the right high quality parts to **install, maintain, repair, retrofit, and renovate any HVAC system** and maximize their operation during the lifetime of your building. And because we know our customers' needs, we have developed professional kits for common maintenance and repairs to ensure successful servicing of your installation.

Selecting Trane as your single source supplier for original and generic parts also means you receive all your parts on site with no surprise that something is missing because you will not have ordered your parts from different locations. It also implies you improve your productivity, accelerating your purchasing process and simplifying your invoicing process.

## Expert advice

For more than half a century, Trane has been selling parts and helping our customers get the most from their systems. Because we also are a manufacturer, our parts experts know your HVAC equipment and systems inside and out. Trane designs parts with an understanding, knowledge and expertise on how to best service and maintain the systems after installation.



With **130 sales and service locations** are at your service throughout Europe, the Middle East, Africa and India, Trane offers uniform local support to the highest standards wherever your building is located: engineering expertise, application assistance, services and parts.

Highly qualified Trane professionals provide the right solution for your specific needs, no matter what your system, budget, or brand requirements might be.

Our service team is trained to give the right technical support in the correct selection of suitable components for each service intervention. You have easy access to parts information and receive quick quotations: 80% of our quotation **requests receive an answer within 24 hours.**

In response to customers' needs, our training centers offer modular and progressive courses that cover every aspect of air conditioning and refrigeration and help your technicians improve their servicing skills.



### Fast delivery

We have the infrastructure to find, deliver and even install the required part anywhere in the world with no or a minimum of downtime. Trane is committed to giving you the best value backed with an **advanced logistics infrastructure and a highly efficient distribution network:**

- Main parts center in Genk, Belgium. Strategically located near international carrier hubs, Genk Center enables late order processing with guaranteed next day delivery.
- Three additional major parts distribution centers in Turkey, the United Arab Emirates, and India
- Logistic platforms in Trane factories
- Local parts centers to ensure all your parts needs are fulfilled.

### Easy access to parts information

You want an efficient and reliable source for your HVAC parts, controls and supplies. We are here to answer all your questions.

The 2012 Trane Parts and Supplies catalogue offers a wide variety of parts from renowned manufacturers as well as Trane.

Trane conducted detailed Market research to better answer your needs and requirements. As a result, this new edition was enhanced with:

- A part number index
- A manufacturer reference number index
- Expanded views for all Trane unit ranges
- Professional kits for common maintenance or repairs
- Technical data on scroll compressors and plate exchangers
- New equipment parts
- Parts contact information by country

Trane logistics teams continuously improve processes to offer fast delivery at the right place, at the right time. With 250 000 parts sent every year, our warehouse staff has a thorough knowledge of the products to ensure prompt service.

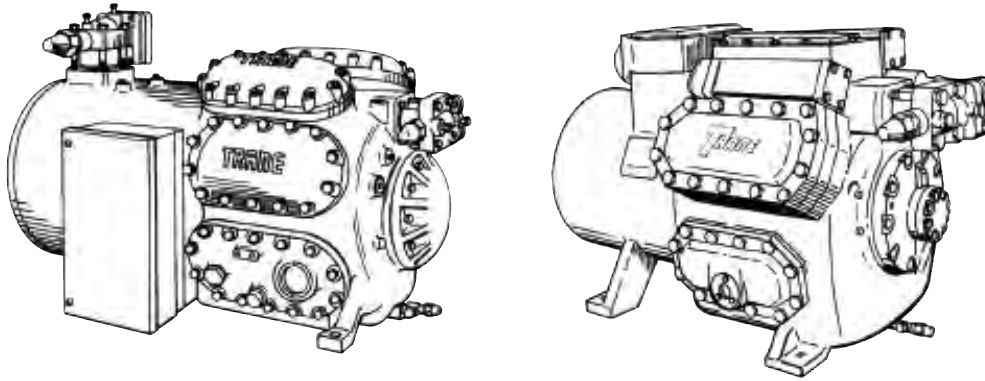
With an **on-line inventory management system**, Trane offers **real-time visibility** of inventory levels to all Trane sales offices so that your Trane representative can provide you with accurate parts information. Once you have placed your order, our on-line tracking system also provides reliable shipment status.

**Trane Parts and Supplies Internet site:**  
<http://doc.trane-eur.com/partscat.nsf>

- Benefit from a powerful search engine to find the products you need
- Download the Parts and Supplies catalogue
- Use the shopping cart to select specific products as you browse through the catalogue and to help you prepare your quote request.

You may also contact your nearest Trane representative. A Trane service expert will listen to your specifications and provide the needed parts.

## Semi-hermetics



Model number	Cooling capacity (KW)(1)	Number of steps	Oil qty (L)	Dim. (L x l x H) (mm)	Shipping weight (Kgs)	Capacity control (2)	Special power supply (2)	Low lift valves (2)	Suction unloading (2)	R134a Option (2)	Ordering number
CRHF081	110.07	4	9.7	1200X800X800	355.0	-	OPT0006E	OPT0007E	OPT0008E	OPT0014E	COM0118E
CRHE500	148.5	4	15.0	1200X800X900	580.0	-	OPT0006E	OPT0007E	OPT0008E	OPT0014E	COM0119E
CRHE600	184.8	4	16.0	1200X800X900	650.0	-	OPT0006E	OPT0007E	OPT0008E	OPT0014E	COM0120E
CRHE750	226.2	4	16.0	1200X800X900	650.0	-	OPT0006E	OPT0007E	OPT0008E	OPT0014E	COM0121E
CRHE1CO	301.8	4	17	1200X800X900	750.0	-	OPT0006E	OPT0007E	OPT0008E	OPT0014E	COM0122E
CRHR400	124.3	2	9.5	1200X800X800	385.0	-	OPT0002E	OPT0003E	-	OPT0014E	COM0165E
<b>CRHR500</b>	<b>154.4</b>	<b>2</b>	<b>13.0</b>	<b>1200X800X800</b>	<b>500.0</b>	<b>OPT0001E</b>	<b>OPT0002E</b>	<b>OPT0003E</b>	-	<b>OPT0014E</b>	<b>COM0166E</b>
CRHR600	187.0	2	13.0	1200X800X800	500.0	OPT0001E	OPT0002E	OPT0003E	-	OPT0014E	COM0167E

(1) Duties given at 54.4°C condensing temp. 7.2°C evaporating temp. 8.5°C subcooling 11.1°C superheat. (ARI conditions).

(2) See factory installed options table.

Oil supplied loose for on site filling Parts winding motor 400V/50Hz/3Ph suitable for 380V, 415V/50Hz/3Ph or 460V/60Hz/3Ph.

## Factory installed options (semi-hermetic)

Part description	Compressor type	Ordering number
3 Step capacity control	M & R except R400	OPT0001E
Motor voltage 230V/50Hz/3Ph	E, F, M or R	OPT0002E
Low lift valve	R	OPT0003E
Motor voltage 230V/50Hz/3Ph	E, F, S or H	OPT0006E
Low lift valve	E, F, S or H	OPT0007E
Capacity control	E, F, S or H	OPT0008E
R134a option	All	OPT0014E

## COMPRESSOR

### REMANUFACTURED RECIPROCATING COMPRESSORS

## Open

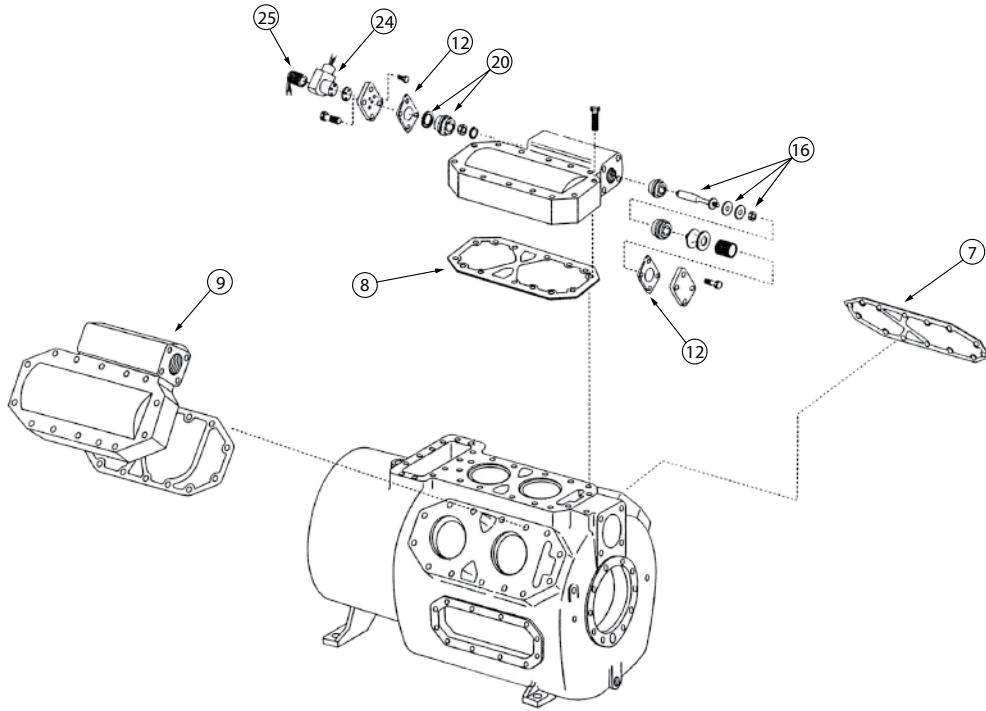
Model number	Compressor type	Oil quantity (L)	Shipping weight (Kg)	Ordering number
CROF 600	3E40	15.0	350	COM0110E
CROF 700	3E50	16.0	420	COM0111E
CROF 750	3E60	16.0	415	COM0112E
CROF 1CO	3E80	17.0	460	COM0113E

## Factory installed options (open)

Part description	Ordering number
4 steps capacity control	OPT0012E
Low lift valve	OPT0013E

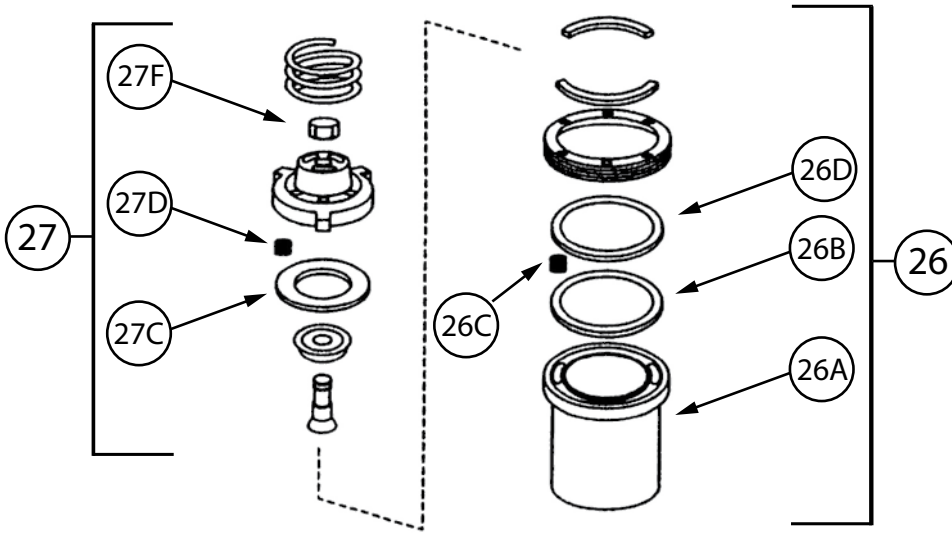


# General assembly



Item	Part description	Ordering number
7	CYLINDER HEAD GASKET	GKT02705
8	CYLINDER HEAD GASKET	GKT02714
9	CYLINDER HEAD GASKET	GKT02707
12	CHECK VALVE GASKET	GKT02701
16	UNLOADER VALVE ASSY	VAL01118
20	UNLOADER PISTON ASSY	PST00049
24	2 WAYS SOLENOID VALVE	VAL05111
25	SOLENOID COIL 120V 50-60HZ	COL03780
25	SOLENOID COIL 220V 50-60HZ	COL01639
*	CRANKCASE HEATER	HTR01566
*	GASKETS AND O'RINGS KIT COMPRESSORS R35-R40	<b>KIT02068</b>
*	GASKETS AND O'RINGS KIT COMPRESSOR R50-R60	<b>KIT02069</b>

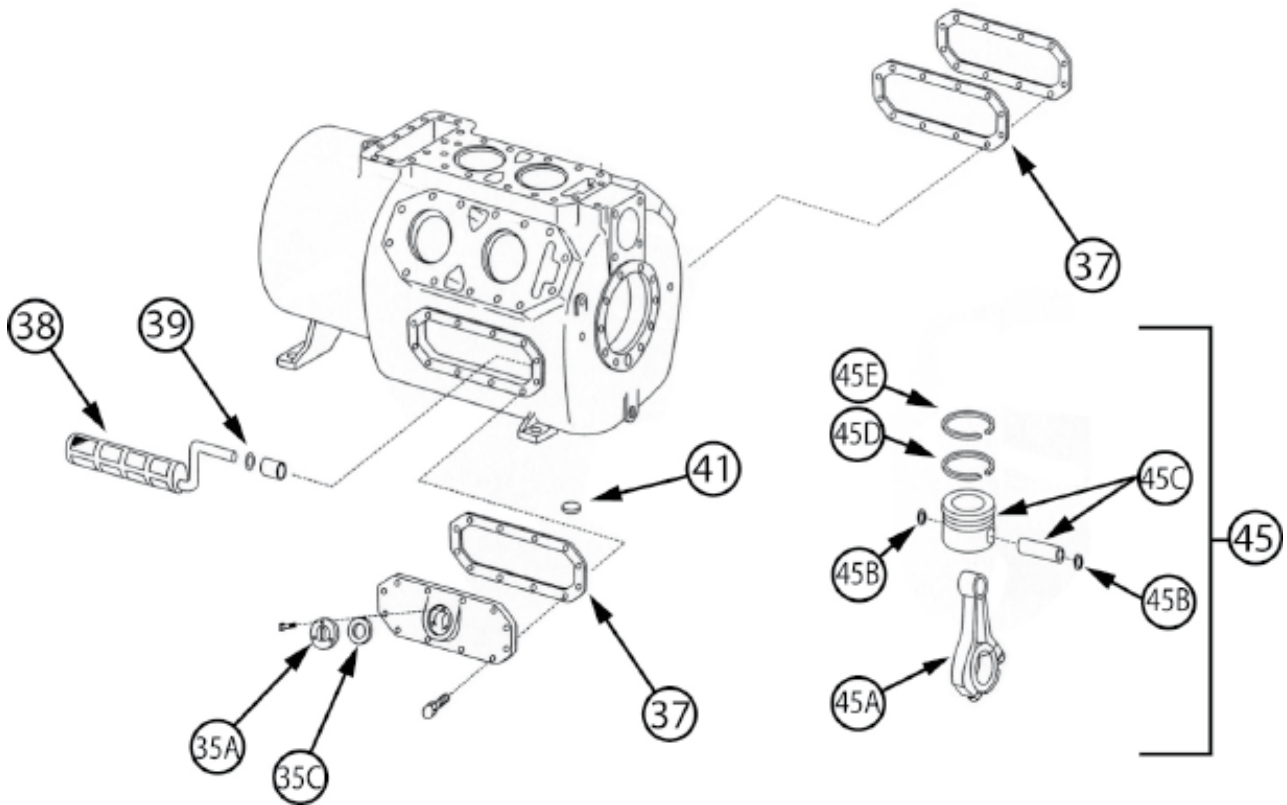
## Cylinder liner and discharge valve assembly



Item	Part description	Ordering Number
26	CYLINDER LINER ASSY	LNR00038
27	DISCHARGE VALVE ASSY	VAL01121
26A	CYLINDER LINER	LNR00039
26B	SUCTION VALVE	VAL01123
26C	SUCTION VALVE SPRING	SPG00285 (1)
26D	O-RING	RNG00410
27C	DISCHARGE VALVE	VAL01122
27D	DISCHARGE VALVE SPRING	SPG00277 (1)
27F	LOCK NUT	NUT00970
*	VALVE PLATE COMPRESSOR	PLT00570

(1): Set of 50 pieces

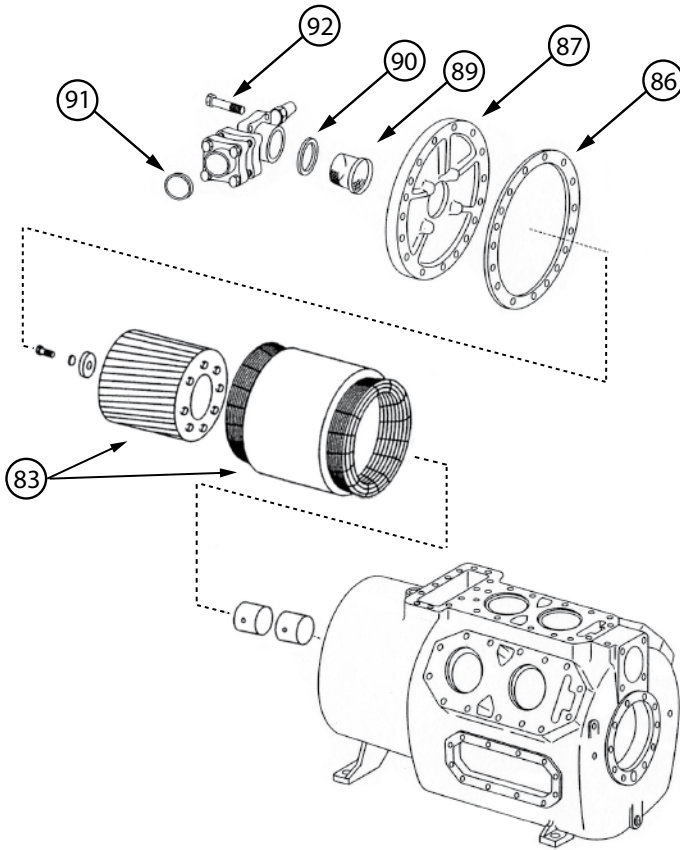
# Cover handhole-piston and rod assembly



Item	Part description	Ordering number
37	HANDHOLE COVER GASKET	GKT03663
38	OIL STRAINER COMPRESSOR R35/R40	SRA00855
38	OIL STRAINER COMPRESSOR R50/R60	SRA00854
39	O-RING	RNG00145
41	MAGNET COVER	MAG00015
45	PISTON WITH ROD ASSY COMPRESSOR R35/R50	PST00050
45	PISTON WITH ROD ASSY COMPRESSOR R40/R60	PST00043
35A	SIGHT GLASS	GLS00030
35C	O-RING	RNG00818
45A	CONNECTING ROD COMPRESSOR R35/R50	ROD00163
45A	CONNECTING ROD COMPRESSOR R40/R60	ROD00149
45B	RETAINING RING	RNG00087
45C	PISTON WITH AXEL	PST00044
45D	BOTTOM COMPRESSION RING	RNG00411
45E	TOP COMPRESSION RING	RNG00412

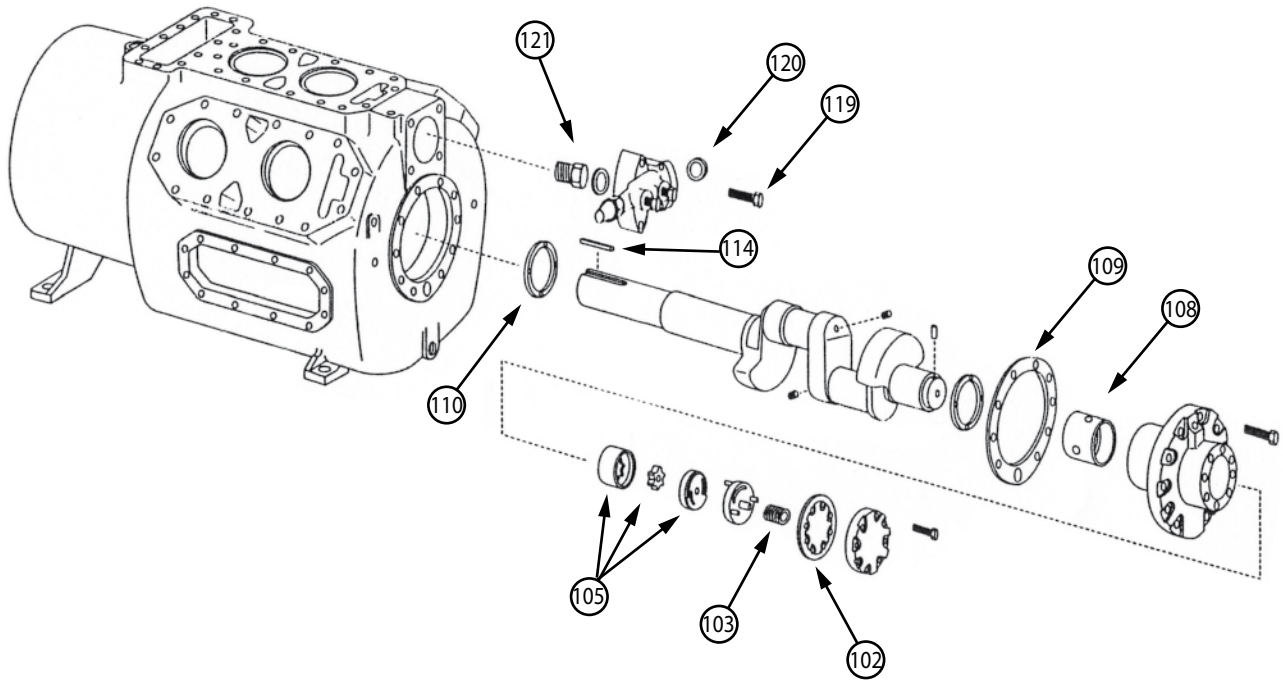


# Motor assembly



Item	Part description	Ordering number
83	STATOR ROTOR 30.0KW 397/50/3 COMPRESSOR R35/R40	MOT0197E
83	STATOR ROTOR 30.0KW 230/50/3 COMPRESSOR R35/R40	MOT0198E
83	STATOR ROTOR 37.0KW 397/50/3 COMPRESSOR R50	MOT0199E
83	STATOR ROTOR 37.0KW 230/50/3 COMPRESSOR R50	MOT0200E
83	STATOR ROTOR 45.0KW 397/50/3 COMPRESSOR R60	MOT0201E
83	STATOR ROTOR 45.0KW 230/50/3 COMPRESSOR R60	MOT0202E
86	SUCTION COVER GASKET COMPRESSOR R35/R40	GKT04150
86	SUCTION COVER GASKET COMPRESSOR R50/R60	GKT02702
89	SUCTION GAS STRAINER COMPRESSOR R35/R40	SRA00064
89	SUCTION GAS STRAINER COMPRESSOR R50/R60	SRA00073
90	SERVICE VALVE GASKET COMPRESSOR R35/R40	GKT03659
90	SERVICE VALVE GASKET COMPRESSOR R50/R60	GKT03660
91	SERVICE VALVE GASKET COMPRESSOR R35/R40	GKT03647
91	SERVICE VALVE GASKET COMPRESSOR R50/R60	GKT03660
92	SERVICE VALVE COMPRESSOR R35/R40	VAL00035
92	SERVICE VALVE COMPRESSOR R50/R60	VAL00043

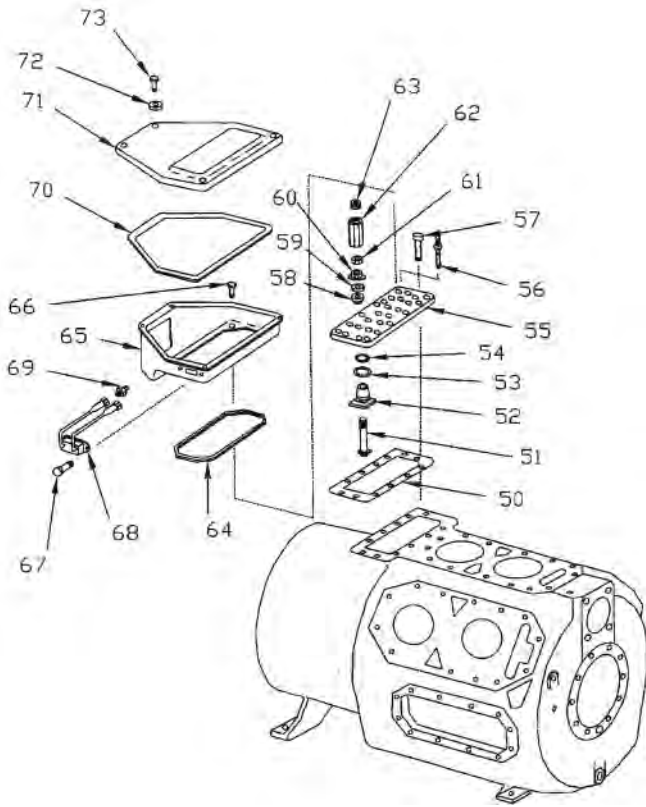
# Bearing assembly



Item	Part description	Ordering number
102	OIL PUMP COVER GASKET	GKT03658
103	OIL PUMP SPRING	SPG00861(1)
105	OIL PUMP	PMP00460
108	BEARING	BRG00289
109	BEARING HEAD GASKET	GKT03662
110	THRUST BEARING	BRG00290
115	CHARGING VALVE	VAL00031
119	SERVICE VALVE COMPRESSOR R35/R40	VAL00008
119	SERVICE VALVE COMPRESSOR R50/R60	VAL00009
120	SERVICE VALVE GASKET COMPRESSOR R35/R40	GKT03647
120	SERVICE VALVE GASKET COMPRESSOR R50/R60	GKT03659
121	RELIEF VALVE 385 PSI COMPRESSOR R35/R40	VAL06712
121	RELIEF VALVE 385 PSI COMPRESSOR R50/R60	VAL06711

(1): Set of 20 pieces

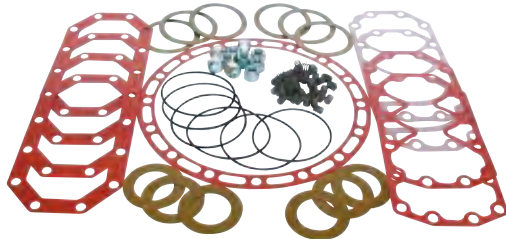
# Junction box assembly



Item	Part description	Ordering number
50	TERMINAL PLATE GASKET COMPRESSOR R35/R40	GKT03656
50	TERMINAL PLATE GASKET COMPRESSOR R50/R60	GKT03661
51	TERMINAL STUD COMPRESSOR R35/R40	STU00067
51	TERMINAL STUD COMPRESSOR R50/R60	STU00068
52	INTERNAL TERMINAL PLATE INSULATION COMPRESSOR R35/R40	INS00197
52	INTERNAL TERMINAL PLATE INSULATION COMPRESSOR R50/R60	INS00199
53	O'RING COMPRESSOR R35/R40	RNG00037
53	O'RING COMPRESSOR R50/R60	RNG00891
54	O'RING COMPRESSOR R35/R40	RNG00038
54	O'RING COMPRESSOR R50/R60	RNG00413
56	HERMETIC TERMINAL	TER00008
58	EXTERNAL TERMINAL PLATE INSULATION COMPRESSOR R35/R40	INS00198
58	EXTERNAL TERMINAL PLATE INSULATION COMPRESSOR R50/R60	INS00200
62	TERMINAL CONNECTOR LUG COMPRESSOR R35/R40	LUG00011
62	TERMINAL CONNECTOR LUG COMPRESSOR R50/R60	LUG00004
64	JUNCTION BOX COVER GASKET COMPRESSOR R35/R40	GKT00988
64	JUNCTION BOX COVER GASKET COMPRESSOR R50/R60	GKT00989
68	PRESSURE DIFFERENTIAL CONTROL 15 PSI OPEN/ 19 PSI CLOSE	CNT05044
69	ADAPTER	ADP00012
70	JUNCTION BOX COVER GASKET COMPRESSOR R35/R40	<b>KIT06337</b>
70	JUNCTION BOX COVER GASKET COMPRESSOR R50/R60	<b>KIT06659</b>

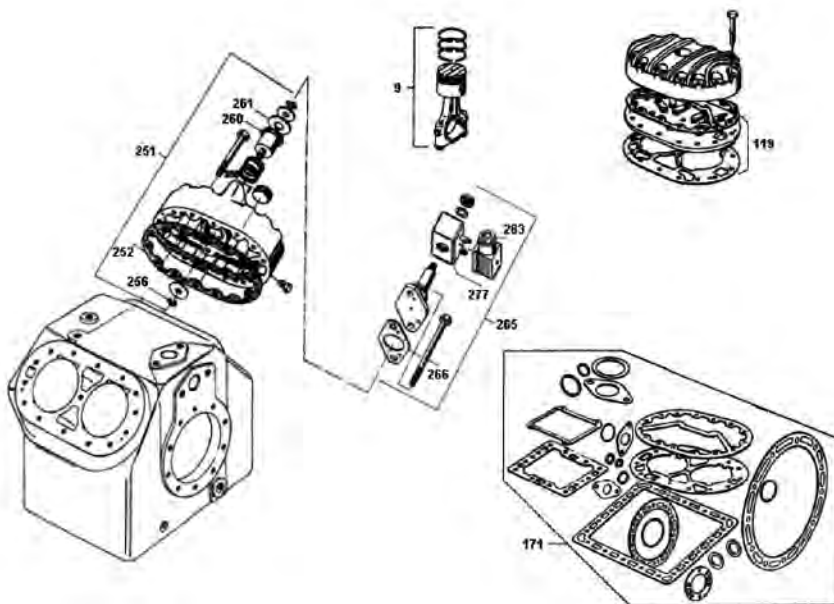
CRHR

## Revision kits



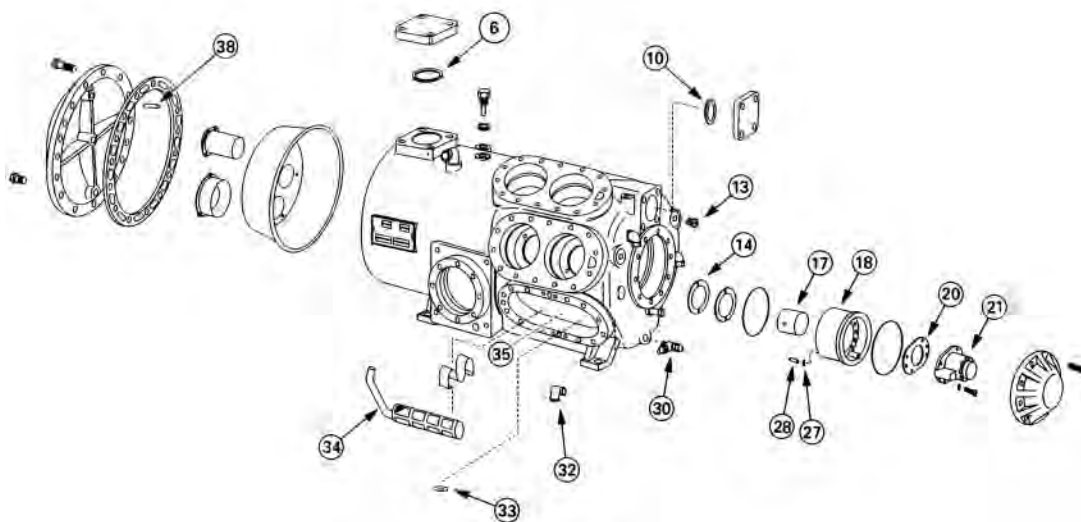
Kit description	Action	Compressor Type	Ordering number
15 000 Hours top overhaul kit	Valve replacement	CRHR350/400	<b>KIT0892E</b>
30 000 Hours major overhaul kit	Compressor maintenance	CRHR350/400	<b>KIT0891E</b>
Full overhaul kit	-	CRHR350	<b>KIT0902E</b>
Full overhaul kit	-	CRHR400	<b>KIT0890E</b>
15 000 Hours top overhaul kit	Valve replacement	CRHR500/600	<b>KIT0404E</b>
30 000 Hours major overhaul kit	Compressor maintenance	CRHR500/600	<b>KIT0405E</b>
Full overhaul kit	-	CRHR500	<b>KIT0903E</b>
Full overhaul kit	-	CRHR600	<b>KIT0406E</b>

# General assembly



Item	Part description	Ordering number
9	CONNECTING ROD/PISTON/RINGS CRHZ200-300	ROD0002Z
9	CONNECTING ROD/PISTON/RINGS CRHZ250-400	ROD0003Z
119	VALVE PLATE COMPLETE CRHZ150	PLT0017Z
119	VALVE PLATE COMPLETE CRHZ154-256	PLT0005Z
119	VALVE PLATE COMPLETE CRHZ200-300	PLT0006Z
119	VALVE PLATE COMPLETE CRHZ250-400	PLT0007Z
171	KIT OF 21 GASKETS CRHZ154	GKT0016Z
171	KIT OF 21 GASKETS CRHZ200	GKT0017Z
171	KIT OF 21 GASKETS CRHZ300	GKT0018Z
171	KIT OF 21 GASKETS CRHZ400	GKT0037Z
251	KIT CYLINDER HEAD - 2 STAGES	HD0005Z
252	CYLINDER HEAD GASKET CRHZ154 TO 400	GKT0034Z
256	CAPACITY REGULATOR CLIP	ASS0150Z
260	CAPACITY REGULATOR PISTON	ASS0150Z
261	CAPACITY REGULATOR GASKET	ASS0150Z
265	2 WAYS SOLENOID VALVE	VAL0008Z
266	SOLENOID VALVE GASKET	GKT0035Z
277	SOLENOID VALVE COIL 200/50/3	COL0002Z
283	ELECTRIC CONNECTOR	CON0006Z
*	OIL PUMP	PMP0001Z
*	OIL PUMP GASKET	GKT0002Z
*	CRANCKASE HEATER 140W CRHZ 150 TO 400	HTR0001Z
*	MOTOR PROTECTION DEVICE	CNT0002Z
*	DRAIN VALVE	VAL0017Z
*	STATOR ROTOR 15KW 400V/50HZ/3 CRHZ150-154	MOT0001Z
*	STATOR ROTOR 18,5KW 400V/50HZ/3 CRHZ200	MOT0002Z
*	STATOR ROTOR 22KW 400V/50HZ/3 CRHZ250	MOT0003Z
*	STATOR ROTOR 26KW 400V/50HZ/3 CRHZ300	MOT0004Z
*	STATOR ROTOR 30KW 400V/50HZ/3 CRHZ400	MOT0005Z

# General assembly



Item	Part description	Ordering number
6	GASKET SERVICE VALVE	GKT03670
7	STRAINER SUCTION GAS	SRA00149
10	GASKET SERVICE VALVE	GKT03660
13	VALVE RELIEF 385 PSI	VAL06711
14	BEARING THRUST	BRG00046
17	BEARING	BRG00066
18	BEARING END PUMP	BRG01174
20	GASKET OIL PUMP	GKT02719
21	OIL PUMP	PMP00009
27	O-RING	RNG00069
28	VALVE	VAL00138
30	CHARGING VALVE	VAL00031
32	ADAPTER COMPRESSION ELBOW	ADP00082
33	MAGNET COVER	MAG00015
34	STRAINER	SRA00033
35	OIL LINE KIT COMPRESSOR E4	<b>KIT00139</b>
35	OIL LINE KIT COMPRESSOR E5	<b>KIT00140</b>
35	OIL LINE KIT COMPRESSOR E6	<b>KIT00141</b>
35	OIL LINE KIT COMPRESSOR E8	<b>KIT00142</b>
*	GASKET AND O-RING KIT MODEL E OPEN	<b>KIT02065</b>
*	GASKET AND O-RING KIT MODEL E SEMI-HERMETIC, A TO L DESIGN	<b>KIT02066</b>
*	GASKET AND O-RING KIT MODEL E SEMI-HERMETIC, M DESIGN	<b>KIT02067</b>
*	SEAL SHAFT FOR OPEN COMPRESSOR E6 E8, A TO G DESIGN	SEL00022
*	SEAL SHAFT FOR OPEN COMPRESSOR E6 E8, G DESIGN	SEL00193
*	CRANKCASE HEATER	HTR01566
*	SERVICE VALVE 2" 1/8	VAL00009
*	SERVICE VALVE 2" 5/8	VAL00035
*	SERVICE VALVE 3" 1/8	VAL00043
*	SERVICE VALVE 4" 1/8	VAL00042
*	SET OF MOUNTING ISOLATOR	<b>MNT0105E</b>
*	SUCTION FILTER	SRN00004
*	OIL FILTER	FLR00046